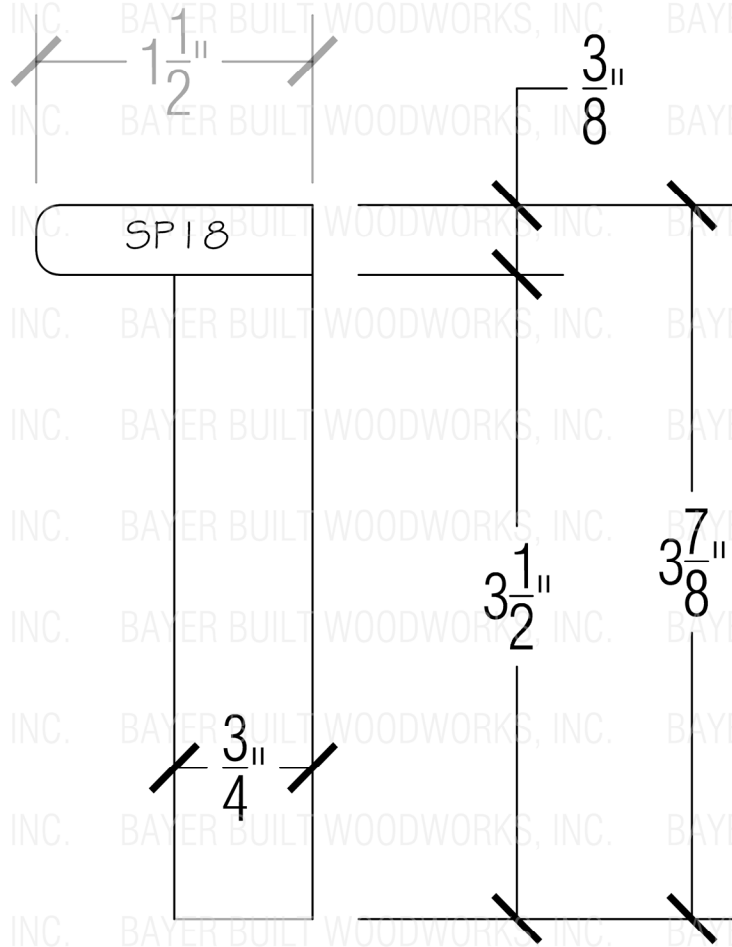


T050



BAYER BUILT WOODWORKS, INC. BAYER BUILT WOODWORKS, INC. BAYER BUILT WOODWORKS, INC.

BAYER BUILT WOODWORKS, INC. BAYER BUILT WOODWORKS, INC. BAYER BUILT WOODWORKS, INC.

BAYER BUILT WOODWORKS, INC. BAYER BUILT WOODWORKS, INC. BAYER BUILT WOODWORKS, INC.

BAYER BUILT WOODWORKS, INC. BAYER BUILT WOODWORKS, INC. BAYER BUILT WOODWORKS, INC.

BAYER BUILT WOODWORKS, INC. BAYER BUILT WOODWORKS, INC. BAYER BUILT WOODWORKS, INC.

BAYER BUILT WOODWORKS, INC. BAYER BUILT WOODWORKS, INC. BAYER BUILT WOODWORKS, INC.

BAYER BUILT WOODWORKS, INC. BAYER BUILT WOODWORKS, INC. BAYER BUILT WOODWORKS, INC.

BAYER BUILT WOODWORKS, INC. BAYER BUILT WOODWORKS, INC. BAYER BUILT WOODWORKS, INC.

BAYER BUILT WOODWORKS, INC. BAYER BUILT WOODWORKS, INC. BAYER BUILT WOODWORKS, INC.

BAYER BUILT WOODWORKS, INC. BAYER BUILT WOODWORKS, INC. BAYER BUILT WOODWORKS, INC.

BAYER BUILT WOODWORKS, INC. BAYER BUILT WOODWORKS, INC. BAYER BUILT WOODWORKS, INC.

BAYER BUILT WOODWORKS, INC. BAYER BUILT WOODWORKS, INC. BAYER BUILT WOODWORKS, INC.

BAYER BUILT WOODWORKS, INC. BAYER BUILT WOODWORKS, INC. BAYER BUILT WOODWORKS, INC.

BAYER BUILT WOODWORKS, INC. BAYER BUILT WOODWORKS, INC. BAYER BUILT WOODWORKS, INC.

BAYER BUILT WOODWORKS, INC. BAYER BUILT WOODWORKS, INC. BAYER BUILT WOODWORKS, INC.

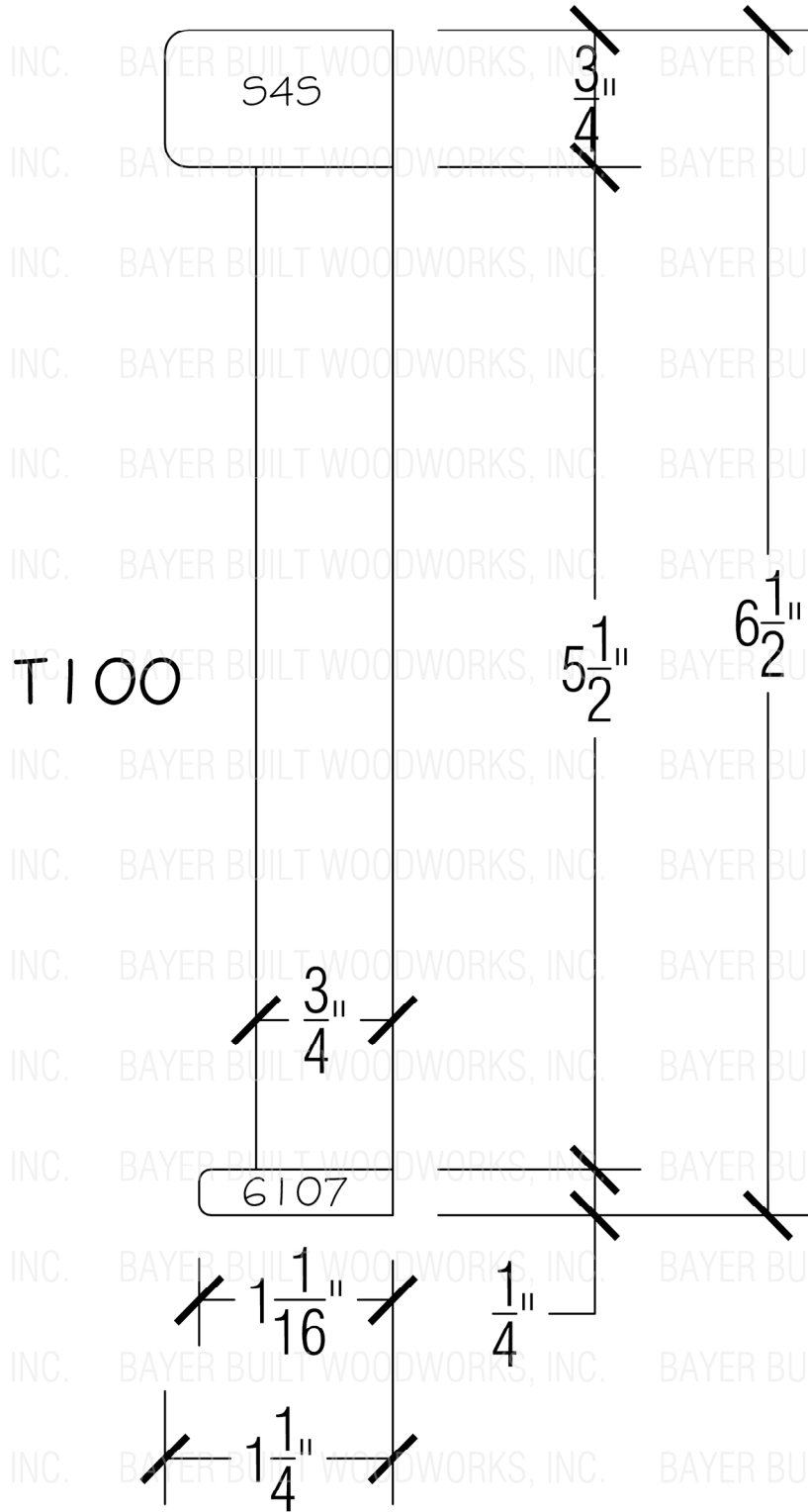
BAYER BUILT WOODWORKS, INC. BAYER BUILT WOODWORKS, INC. BAYER BUILT WOODWORKS, INC.

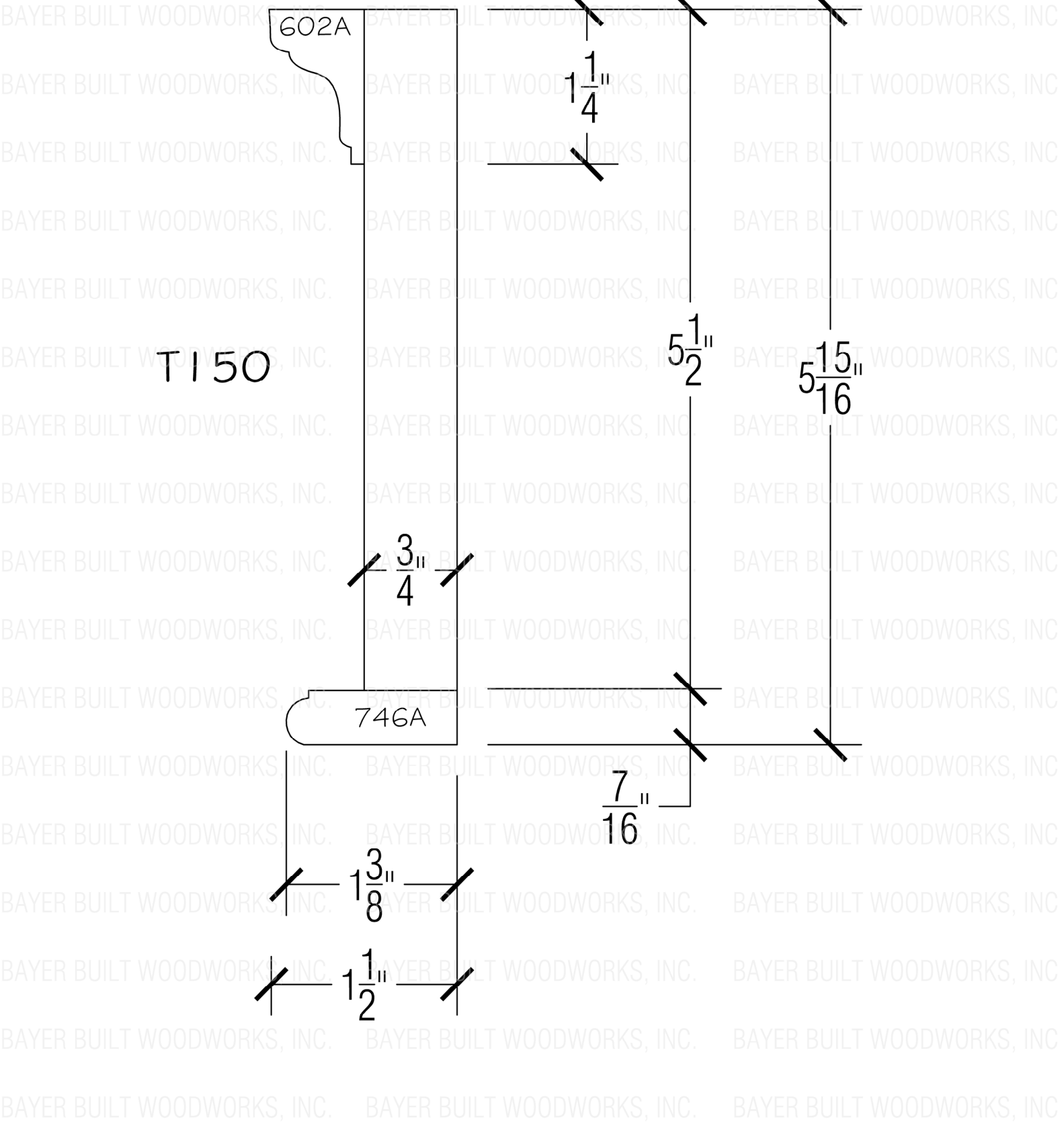
BAYER BUILT WOODWORKS, INC. BAYER BUILT WOODWORKS, INC. BAYER BUILT WOODWORKS, INC.

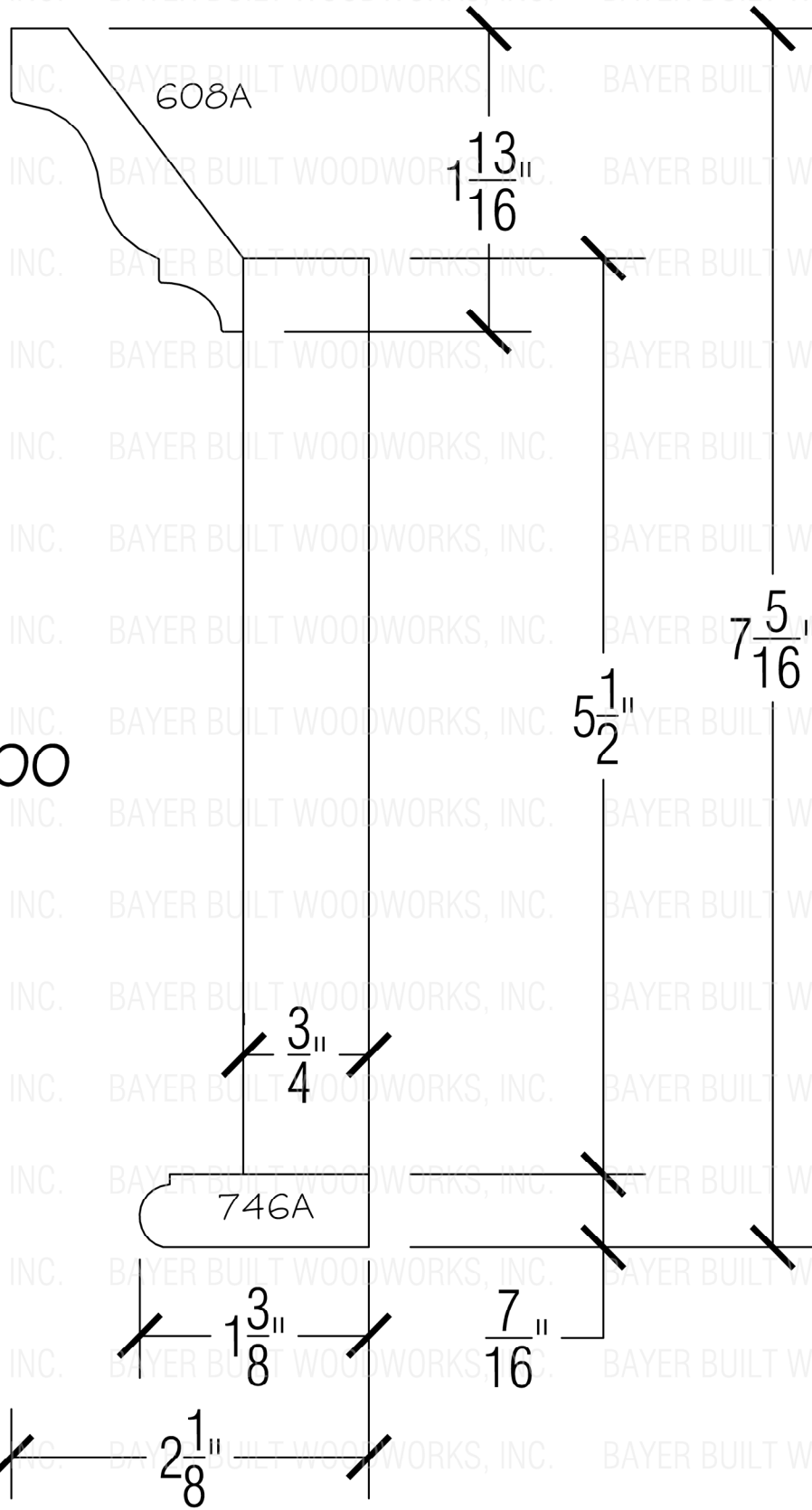
BAYER BUILT WOODWORKS, INC. BAYER BUILT WOODWORKS, INC. BAYER BUILT WOODWORKS, INC.

BAYER BUILT WOODWORKS, INC. BAYER BUILT WOODWORKS, INC. BAYER BUILT WOODWORKS, INC.

BAYER BUILT WOODWORKS, INC. BAYER BUILT WOODWORKS, INC. BAYER BUILT WOODWORKS, INC.







T200

608A

$\frac{3}{4}$ "

746A

$1\frac{13}{16}$ "

$5\frac{1}{2}$ "

$7\frac{5}{16}$ "

$1\frac{3}{8}$ "

$\frac{7}{16}$ "

$2\frac{1}{8}$ "

